



**5 YEAR
WARRANTY***

The Arden Heat Pump range are an economical and environmental solution to your heating, cooling and domestic hot water requirements.

Able to produce water up to 75°C making them ideal for hydronic heating and domestic hot water production.

The units R290 refrigerant has a low GWP (Global Warming Potential) of 3, limiting its environmental impact.

WiFi smart controller and app allows for simple real time control and system diagnostics.

Utilising a full DC inverter compressor and fan motor minimising your energy consumption and saving costs while providing the heating and cooling you require.

Ambient operating temperatures from -25°C to 45°C so your home can be heated or cooled whenever you like.



Heating



Cooling



Hot Water



Heating &
Hot Water



Cooling &
Hot Water



Tank



Wifi Controllers



Complete Kits

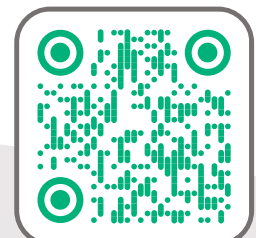
ARDEN Heat Pumps Pty Ltd

t 1300 14 14 55

e mail: sales@ardenheatpumps.com.au

a 10 Frankston Gardens Drive, Carrum Downs VIC 3201

w ardenheatpumps.com.au



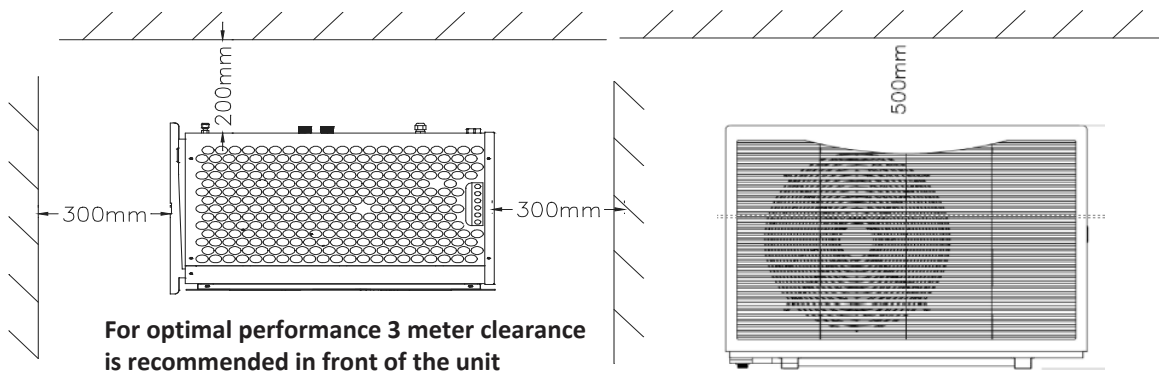
View Product on our website for more info

Arden 290 - BLN-06

Technical Data

| | | | |
|-----------------------------------------------------|-------------------------|-------------------|--------------------------|
| Power supply | | V/Ph/Hz | 220~240/1/50 |
| Nominal Heating (Max) (A7/6°C,W30/35°C) | Heating capacity | kW | 3.0~9.1 |
| | Power input | kW | 0.65~2.29 |
| | Current input | A | 2.8~9.1 |
| Nominal Heating (Max) (A7/6°C,W47/55°C) | Heating capacity | kW | 2.85~8.5 |
| | Power input | kW | 0.95~2.85 |
| | Current input | A | 2.9~9.2 |
| Nominal Cooling (Max) (A35/24°C,W12/7°C) | Heating capacity | kW | 1.25~5.8 |
| | Power input | kW | 0.65~2.35 |
| | Current input | A | 2.9~10.4 |
| ERP level (Outlet water temp. at 35°C) | | / | A+++ |
| Max. input power | | kW | 3.0 |
| Max. input current | | A | 13.50 |
| Refrigerant | | / | R290 |
| Rated water flow | | m ³ /h | 1.00 |
| Fan quantity | | / | 1 |
| Fan motor type | | / | DC inverter |
| Compressor | | / | DC inverter/Rotary |
| Circulating pump | | / | Inverter type / Built-in |
| IP class | | / | IPX4 |
| Sound pressure at 1m distance | | dB(A) | 42 |
| Max outlet water temperature | | °C | 75 |
| Water piping connections | | / | DN 25 (1") |
| Water pressure drop(max) | | kPa | 20 |
| Operating temperature range (Heating mode) | | °C | -25~45 |
| Operating temperature range (Cooling mode) | | °C | 16~45 |
| Unpacked dimensions (LxDxH) | | mm | 1150*410*800 |
| Packed dimensions (LxDxH) | | mm | 1300*485*950 |
| Unpacked weight | | kg | 90 |
| Packed weight | | kg | 115 |

Heat Pump Installation Spacing for Maintenance and Performance



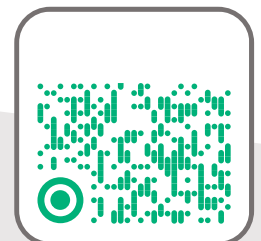
ARDEN Heat Pumps Pty Ltd

t 1300 14 14 55

e mail: sales@ardenheatpumps.com.au

a 10 Frankston Gardens Drive, Carrum Downs VIC 3201

w ardenheatpumps.com.au



View Product on our website for more info